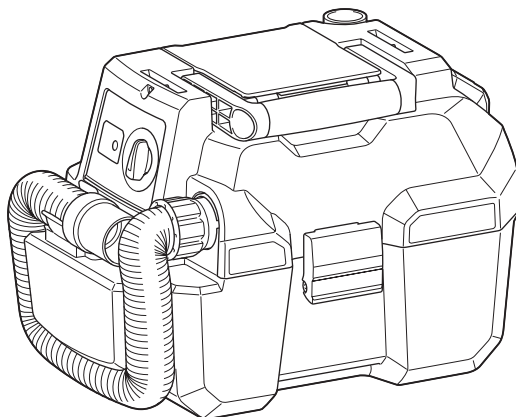


INSTRUCTION MANUAL



Cordless Portable Vacuum Cleaner

DVC750L



  Read before use.

WARNING

This appliance can be used by children aged from 8 years and above and persons with reduced physical, sensory or mental capabilities or lack of experience and knowledge if they have been given supervision or instruction concerning use of the appliance in a safe way and understand the hazards involved. Children shall not play with the appliance. Cleaning and user maintenance shall not be made by children without supervision.

SPECIFICATIONS

Model:		DVC750L
Maximum air volume	Normal (1)	1.3 m ³ /min
	High (2)	1.6 m ³ /min
Vacuum	Normal (1)	42 hPa
	High (2)	67 hPa
Recoverable capacity	Dust	7.5 L
	Water *	4.5 L
Dimensions (L x W x H)		418 mm x 251 mm x 278 mm
Rated voltage		D.C. 18 V
Net weight		4.2 - 4.6 kg

- Due to our continuing program of research and development, the specifications herein are subject to change without notice.
- Specifications may differ from country to country.
- The weight includes accessories (Hose, Wide nozzle, Sash nozzle) and battery cartridge(s). The lightest and heaviest combination weight of the appliance and battery cartridge(s) are shown in the table.
- * The capacity of water depends on the condition of use.

Applicable battery cartridge and charger

Battery cartridge	BL1815N / BL1820 / BL1820B / BL1830 / BL1830B / BL1840 / BL1840B / BL1850 / BL1850B / BL1860B
Charger	DC18RC / DC18RD / DC18RE / DC18SD / DC18SE / DC18SF / DC18SH

- Some of the battery cartridges and chargers listed above may not be available depending on your region of residence.

⚠ WARNING: Only use the battery cartridges and chargers listed above. Use of any other battery cartridges and chargers may cause injury and/or fire.

Symbols

The followings show the symbols which may be used for the equipment. Be sure that you understand their meaning before use.



Read instruction manual.



Take particular care and attention.



Warning! The cleaner may contain hazardous dust.



Dust class L (light). The cleaners are capable of picking up dust class L. Follow your country's regulations relating to dusts and to occupational health and safety.



Only for EU countries
Do not dispose of electric equipment or battery pack together with household waste material! In observance of the European Directives, on Waste Electric and Electronic Equipment and Batteries and Accumulators and Waste Batteries and Accumulators and their implementation in accordance with national laws, electric equipment and batteries and battery pack(s) that have reached the end of their life must be collected separately and returned to an environmentally compatible recycling facility.

Intended use

The tool is intended for collecting both wet and dry dust. The tool is suitable for commercial use, for example in hotels, schools, hospitals, factories, shops, offices and rental businesses.

Noise

The typical A-weighted noise level determined according to EN60335-2-69:

Sound pressure level (L_{pA}) : 76 dB(A)

Uncertainty (K) : 2.5 dB(A)

The noise level under working may exceed 80 dB (A).

NOTE: The declared noise emission value(s) has been measured in accordance with a standard test method and may be used for comparing one tool with another.

NOTE: The declared noise emission value(s) may also be used in a preliminary assessment of exposure.

⚠ WARNING: Wear ear protection.

⚠ WARNING: The noise emission during actual use of the power tool can differ from the declared value(s) depending on the ways in which the tool is used especially what kind of workpiece is processed.

⚠ WARNING: Be sure to identify safety measures to protect the operator that are based on an estimation of exposure in the actual conditions of use (taking account of all parts of the operating cycle such as the times when the tool is switched off and when it is running idle in addition to the trigger time).

Vibration

The vibration total value (tri-axial vector sum) determined according to EN60335-2-69:

Vibration emission (a_{hM}) : 2.5 m/s² or less

Uncertainty (K) : 1.5 m/s²

NOTE: The declared vibration total value(s) has been measured in accordance with a standard test method and may be used for comparing one tool with another.

NOTE: The declared vibration total value(s) may also be used in a preliminary assessment of exposure.

⚠ WARNING: The vibration emission during actual use of the power tool can differ from the declared value(s) depending on the ways in which the tool is used especially what kind of workpiece is processed.

⚠ WARNING: Be sure to identify safety measures to protect the operator that are based on an estimation of exposure in the actual conditions of use (taking account of all parts of the operating cycle such as the times when the tool is switched off and when it is running idle in addition to the trigger time).

EC Declaration of Conformity

For European countries only

The EC declaration of conformity is included as Annex A to this instruction manual.

SAFETY WARNINGS

Cordless vacuum cleaner safety warnings

⚠ WARNING: IMPORTANT! READ CAREFULLY all safety warnings and all instructions BEFORE USE. Failure to follow the warnings and instructions may result in electric shock, fire and/or serious injury.

1. **Before use, make sure that this cleaner must be used by people who have been adequately instructed on the use of this cleaner.**
2. **If foam/liquid comes out, switch off immediately.**
3. **Clean the water level limiting device regularly and examine it for signs of damage.**
4. **Do not use the cleaner without the filter. Replace a damaged filter immediately.**
5. **AVOID UNINTENTIONAL STARTING. Be sure switch is OFF when installing battery(ies).**
6. **Do not attempt to pick up flammable materials, fire works, lighted cigarettes, hot ashes, hot metal chips, sharp materials such as razors, needles, broken glass or the like.**
7. **NEVER USE THE CLEANER IN THE VICINITY OF GASOLINE, GAS, PAINT, ADHESIVES OR OTHER HIGHLY EXPLOSIVE SUBSTANCES.** The switch emits sparks when turned ON and OFF. And so does the motor commutator during operation. A dangerous explosion may result.
8. **Never vacuum up toxic, carcinogenic, combustible or other hazardous materials such as asbestos, arsenic, barium, beryllium, lead, pesticides, or other health endangering materials.**
9. **Never use the cleaner outdoors in the rain.**
10. **Do not use close to heat sources (stoves, etc.).**
11. **Do not block suction inlet/outlet/cooling vents. These vents permit cooling of the motor. Blockage should be carefully avoided otherwise the motor will burn out from lack of ventilation.**
12. **Keep proper footing and balance at all times.**
13. **Do not fold, tug or step on the hose.**
14. **Stop the cleaner immediately if you notice poor performance or anything abnormal during operation.**
15. **REMOVE THE BATTERY(IES).** When not in use, before servicing, and when changing accessories.
16. **Clean and service the cleaner immediately after each use to keep it in tiptop operating condition.**
17. **MAINTAIN THE CLEANER WITH CARE.** Keep the cleaner clean for better and safer performance. Follow instructions for changing accessories. Keep handles dry, clean, and free from oil and grease.
18. **CHECK DAMAGED PARTS.** Before further use of the cleaner, a guard or other part that is damaged should be carefully checked to determine that it will operate properly and perform its intended function. Check for alignment of moving parts, binding of moving parts, breakage of parts, mounting, and any other conditions that may affect its operation. A guard or other part that is damaged should be properly repaired or replaced by an authorized service center unless otherwise indicated elsewhere in this instruction manual. Have defective switches replaced by authorized service center. Do not use the cleaner if switch does not turn it on and off.

19. **REPLACEMENT PARTS.** When servicing, use only identical replacement parts.
20. **STORE IDLE CLEANER.** When not in use, the cleaner should be stored indoors.
21. **Wet filters and the interior part of the liquid container shall be dried before storage.**
22. **Be kind to your cleaner.** Rough handling can cause breakage of even the most sturdily built cleaner.
23. **Do not attempt to clean the exterior or interior with benzine, thinner or cleaning chemicals.** Cracks and discoloration may be caused.
24. **Do not use cleaner in an enclosed space where flammable, explosive or toxic vapors are given off by oil-based paint, paint-thinner, gasoline, some mothproofing substances, etc., or in areas where flammable dust is present.**
25. **Do not operate the cleaner or any tool while under the influence of drugs or alcohol.**
26. **As a basic rule of safety, use safety goggles or safety glasses with side shields.**
27. **Use a dust mask in dusty work conditions.**
28. **This machine is not intended for use by persons including children with reduced physical, sensory or mental capabilities, or lack of experience and knowledge.**
29. **Young children should be supervised to ensure that they do not play with the cleaner.**
30. **Never handle battery(ies) and cleaner with wet hands.**
31. **Use extreme caution when cleaning on stairs.**
32. **Do not use the cleaner as a stool or work bench.** The machine may fall down and may result in personal injury.
33. **Before use, operators shall be provided with information, instruction and training for the use of the machine and the substances for which it is to be used, including the safe method of removal and disposal of the material collected.**
34. **The machine should be technically inspected by the manufacturer, or an instructed person, at least annually, consisting of, for example, inspection of filters for damage, air tightness of the machine and proper function of the control mechanism.**
35. **When carrying out service or repair operations, all contaminated items which cannot be satisfactorily cleaned are to be disposed of; such items shall be disposed of in impervious bags in accordance with any current regulation for the disposal of such waste.**

Battery tool use and care

1. **Recharge only with the charger specified by the manufacturer.** A charger that is suitable for one type of battery pack may create a risk of fire when used with another battery pack.
2. **Use power tools only with specifically designated battery packs.** Use of any other battery packs may create a risk of injury and fire.
3. **When battery pack is not in use, keep it away from other metal objects, like paper clips, coins, keys, nails, screws or other small metal objects, that can make a connection from one terminal to another.** Shorting the battery terminals together may cause burns or a fire.

4. **Under abusive conditions, liquid may be ejected from the battery; avoid contact.** If contact accidentally occurs, flush with water. If liquid contacts eyes, additionally seek medical help. Liquid ejected from the battery may cause irritation or burns.
5. **Do not use a battery pack or tool that is damaged or modified.** Damaged or modified batteries may exhibit unpredictable behaviour resulting in fire, explosion or risk of injury.
6. **Do not expose a battery pack or tool to fire or excessive temperature.** Exposure to fire or temperature above 130 °C may cause explosion.
7. **Follow all charging instructions and do not charge the battery pack or tool outside the temperature range specified in the instructions.** Charging improperly or at temperatures outside the specified range may damage the battery and increase the risk of fire.

SAVE THESE INSTRUCTIONS.

⚠WARNING: DO NOT let comfort or familiarity with product (gained from repeated use) replace strict adherence to safety rules for the subject product. MISUSE or failure to follow the safety rules stated in this instruction manual may cause serious personal injury.

Important safety instructions for battery cartridge

1. **Before using battery cartridge, read all instructions and cautionary markings on (1) battery charger, (2) battery, and (3) product using battery.**
 2. **Do not disassemble or tamper the battery cartridge.** It may result in a fire, excessive heat, or explosion.
 3. **If operating time has become excessively shorter, stop operating immediately.** It may result in a risk of overheating, possible burns and even an explosion.
 4. **If electrolyte gets into your eyes, rinse them out with clear water and seek medical attention right away.** It may result in loss of your eyesight.
 5. **Do not short the battery cartridge:**
 - (1) **Do not touch the terminals with any conductive material.**
 - (2) **Avoid storing battery cartridge in a container with other metal objects such as nails, coins, etc.**
 - (3) **Do not expose battery cartridge to water or rain.**
- A battery short can cause a large current flow, overheating, possible burns and even a breakdown.**
6. **Do not store and use the tool and battery cartridge in locations where the temperature may reach or exceed 50 °C (122 °F).**
 7. **Do not incinerate the battery cartridge even if it is severely damaged or is completely worn out.** The battery cartridge can explode in a fire.
 8. **Do not nail, cut, crush, throw, drop the battery cartridge, or hit against a hard object to the battery cartridge.** Such conduct may result in a fire, excessive heat, or explosion.

9. **Do not use a damaged battery.**
10. **The contained lithium-ion batteries are subject to the Dangerous Goods Legislation requirements.** For commercial transports e.g. by third parties, forwarding agents, special requirement on packaging and labeling must be observed. For preparation of the item being shipped, consulting an expert for hazardous material is required. Please also observe possibly more detailed national regulations. Tape or mask off open contacts and pack up the battery in such a manner that it cannot move around in the packaging.
11. **When disposing the battery cartridge, remove it from the tool and dispose of it in a safe place. Follow your local regulations relating to disposal of battery.**
12. **Use the batteries only with the products specified by Makita.** Installing the batteries to non-compliant products may result in a fire, excessive heat, explosion, or leak of electrolyte.
13. **If the tool is not used for a long period of time, the battery must be removed from the tool.**
14. **During and after use, the battery cartridge may take on heat which can cause burns or low temperature burns. Pay attention to the handling of hot battery cartridges.**
15. **Do not touch the terminal of the tool immediately after use as it may get hot enough to cause burns.**
16. **Do not allow chips, dust, or soil stuck into the terminals, holes, and grooves of the battery cartridge.** It may result in poor performance or breakdown of the tool or battery cartridge.
17. **Unless the tool supports the use near high-voltage electrical power lines, do not use the battery cartridge near high-voltage electrical power lines.** It may result in a malfunction or breakdown of the tool or battery cartridge.
18. **Keep the battery away from children.**

SAVE THESE INSTRUCTIONS.

CAUTION: Only use genuine Makita batteries.

Use of non-genuine Makita batteries, or batteries that have been altered, may result in the battery bursting causing fires, personal injury and damage. It will also void the Makita warranty for the Makita tool and charger.

Tips for maintaining maximum battery life

1. **Charge the battery cartridge before completely discharged. Always stop tool operation and charge the battery cartridge when you notice less tool power.**
2. **Never recharge a fully charged battery cartridge. Overcharging shortens the battery service life.**
3. **Charge the battery cartridge with room temperature at 10 °C - 40 °C (50 °F - 104 °F). Let a hot battery cartridge cool down before charging it.**
4. **When not using the battery cartridge, remove it from the tool or the charger.**
5. **Charge the battery cartridge if you do not use it for a long period (more than six months).**

FUNCTIONAL DESCRIPTION

CAUTION: Always be sure that the tool is switched off and the battery cartridge is removed before adjusting or checking function on the tool.

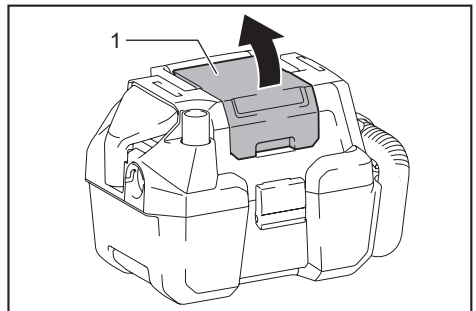
Installing or removing battery cartridge

CAUTION: Always switch off the tool before installing or removing of the battery cartridge.

CAUTION: Hold the tool and the battery cartridge firmly when installing or removing battery cartridge. Failure to hold the tool and the battery cartridge firmly may cause them to slip off your hands and result in damage to the tool and battery cartridge and a personal injury.

CAUTION: Be careful not to pinch your fingers when opening or closing the battery cover. Failure to do so may cause personal injury.

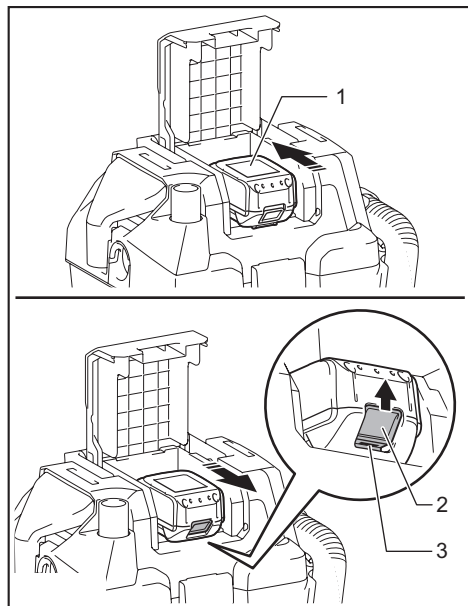
To install the battery cartridge, open the battery cover first and then insert the battery cartridge.



► 1. Battery cover

NOTE: The battery cover is locked when you open it up to the upright position.

Align the tongue on the battery cartridge with the groove in the housing and slip it into place. Insert it all the way until it locks in place with a little click. Then close the battery cover. To remove the battery cartridge, slide it from the tool while sliding the button on the front of the cartridge.



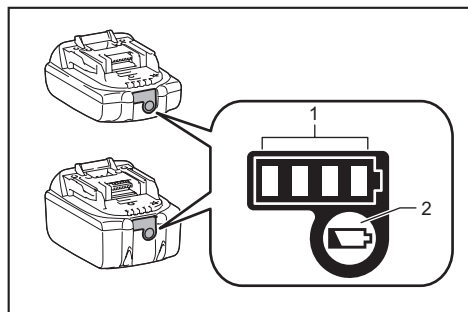
► 1. Battery cartridge 2. Button 3. Red indicator

⚠ CAUTION: Always install the battery cartridge fully until the red indicator cannot be seen. If not, it may accidentally fall out of the tool, causing injury to you or someone around you.

⚠ CAUTION: Do not install the battery cartridge forcibly. If the cartridge does not slide in easily, it is not being inserted correctly.

Indicating the remaining battery capacity

Only for battery cartridges with the indicator



► 1. Indicator lamps 2. Check button

Press the check button on the battery cartridge to indicate the remaining battery capacity. The indicator lamps light up for a few seconds.

Indicator lamps			Remaining capacity
Lighted	Off	Blinking	
■ ■ ■ ■			75% to 100%
■ ■ ■ □			50% to 75%
■ ■ □ □			25% to 50%
■ □ □ □			0% to 25%
▬ □ □ □			Charge the battery.
■ ■ □ □			The battery may have malfunctioned.
□ □ ■ ■	↑ ↓		

NOTE: Depending on the conditions of use and the ambient temperature, the indication may differ slightly from the actual capacity.

NOTE: The first (far left) indicator lamp will blink when the battery protection system works.

Tool / battery protection system

The tool is equipped with a tool/battery protection system. This system automatically cuts off power to the motor to extend tool and battery life. The tool will automatically stop during operation if the tool or battery is placed under one of the following conditions.

Overload protection

When the tool is operated in a manner that causes it to draw an abnormally high current, the tool automatically stops without any indication. In this situation, turn the tool off and stop the application that caused the tool to become overloaded. Then turn the tool on to restart.

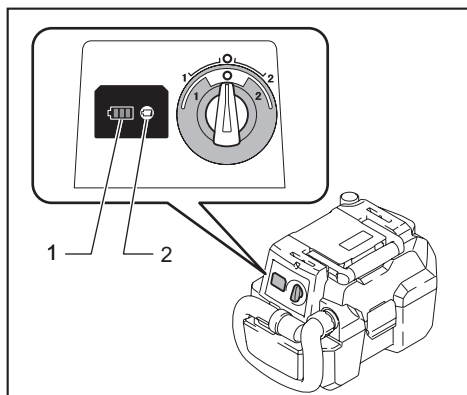
Overheat protection

When the tool is overheated, the tool stops automatically. Let the tool cool down before turning the tool on again.

Overdischarge protection

When the battery capacity becomes low, the tool stops automatically. If the product does not operate even when the switches are operated, remove the batteries from the tool and charge the batteries.

Indicating the remaining battery capacity



► 1. Battery indicator 2. Check button

Press the check button to indicate the remaining battery capacity. The remaining battery capacity is shown as the following table.

Battery indicator status		Remaining battery capacity
On	Off	
		50% to 100%
		20% to 50%
		0% to 20%

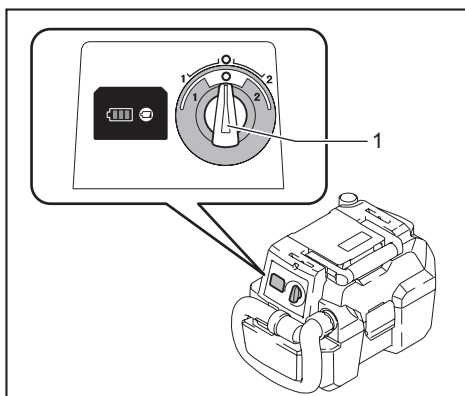
Switch action

CAUTION: Before installing the battery cartridge into the tool, always check to see that the slide switch actuates properly and returns to the "OFF" position when the rear of the slide switch is depressed.

According to your work need, you can choose two types of the suction power; normal "1" or high "2".

To start the cleaner, set the switch lever to "1" or "2" side.

To turn off the cleaner, set the switch lever to "O" side.



► 1. Switch lever

Auto-suction stop during wet suction operation

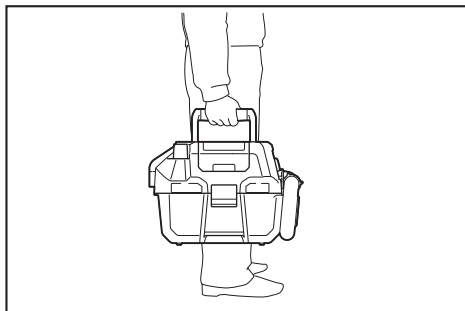
WARNING: Do not use for a long time while the float is at work. Using the cleaner with its float at work for a long time can cause overheat, resulting in the cleaner deformation. In the worst case, it may lead to smoke emission or fire.

WARNING: Do not pick up foam or soapy liquid. Picking up foam or soapy liquid can cause foam to come out of air exit before the float works. Continuing to using in this condition may cause an electric shock and breakage of the cleaner.

The cleaner has a float mechanism that prevents water from immersing into the motor when picking up more than a certain amount of water. When the tank is full and the cleaner no longer picks up water, switch off the cleaner and empty the tank.

Carriage handle

When carrying the cleaner, carry it by holding the handle on the head. The handle is retractable at the head when not in use.



NOTE: When water is in the tank, switch off the cleaner and empty the tank before carrying. The water inside may leak.

ASSEMBLY

⚠ CAUTION: Always be sure that the tool is switched off and the battery cartridge is removed before carrying out any work on the tool.

⚠ CAUTION: Always wear dust mask during assembly or maintenance.

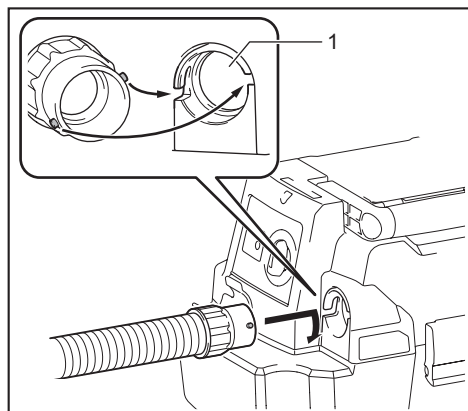
Connecting the hose

NOTICE: Never force the hose for bending or stamp it. Never move the cleaner by a hose. Forcing, stamping and pulling the hose may cause a breakage or deformation of the hose.

NOTICE: Do not pick up large wastes such as planer carvings and concrete pieces. It may cause a hose stuffing and damage.

For vacuum cleaning

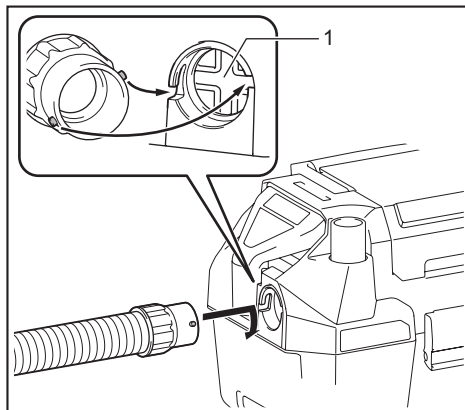
Insert the hose into the suction inlet and turn it clockwise until it clicks.



► 1. Suction inlet

For blowing

Insert the hose to blower outlet and turn it clockwise until it clicks.



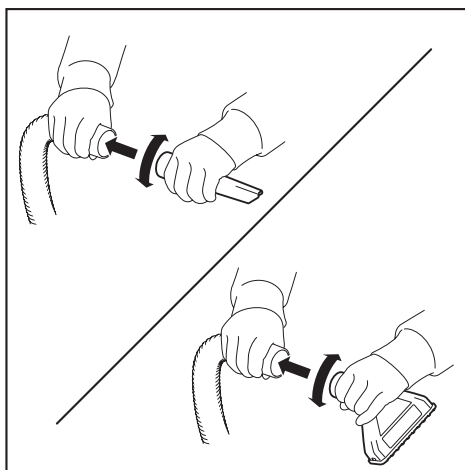
► 1. Blower outlet

NOTE: This cleaner has the suction inlet and blower outlet separately. Connect the hose to the proper port depending on your work.

Connecting the nozzle

Attach the wide nozzle, sash nozzle, or other nozzles supplied as optional accessories depending on your purpose.

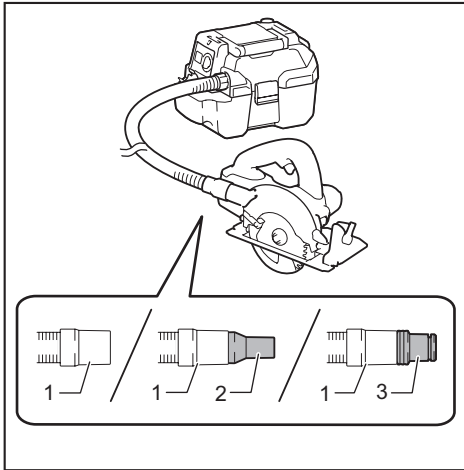
To attach the nozzle, twist and insert it to the end of the hose.



Connecting the tool

Optional accessory

To connect the tool, connect the end of the hose to the tool's extraction outlet. Depending on the tool, you may need the optional joint 22-38 or the front cuff 24.

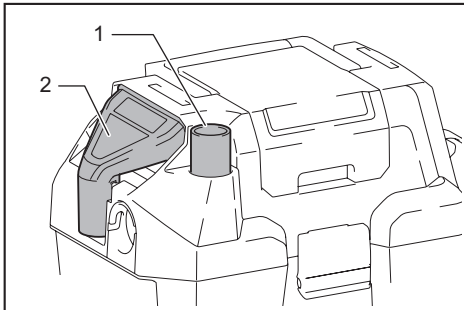


► 1. Hose 2. Joint 22-38 3. Front cuff 24

NOTE: When connecting the tool, always make sure that the hose is connected to the suction inlet on the cleaner.

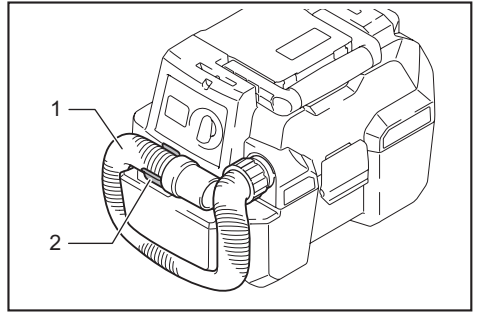
Storage of hose and nozzles

The hose and nozzles can be stored on the tool as illustrated.



► 1. Sash nozzle 2. Wide nozzle

When storing the hose, loop it on the tool and fix it with the hook as illustrated.

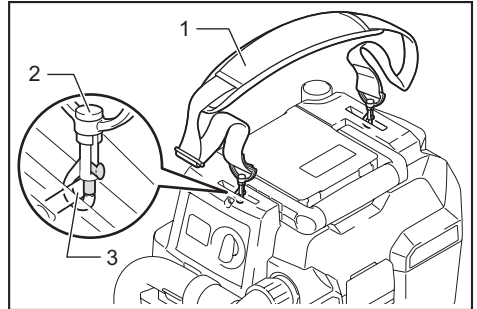


► 1. Hose 2. Hook

Installing the shoulder strap

Optional accessory

Attach the hooks of the shoulder strap onto the mounts of the cleaner as shown in the figure.



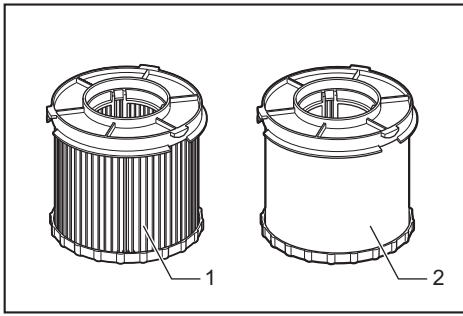
► 1. Shoulder strap 2. Hook 3. Mount

OPERATION

Using as a vacuum cleaner

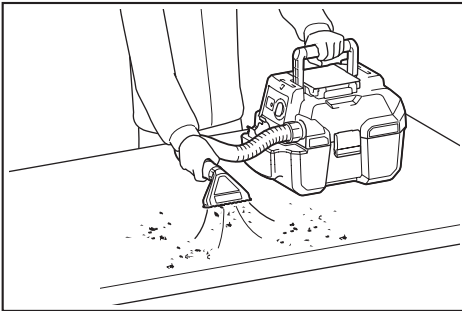
NOTICE: Use the HEPA filter when picking up dry dust.

NOTICE: If you continue to pick up water with the HEPA filter, the suction power may be reduced. In that case dry the HEPA filter. Use the wet filter (optional accessory) when picking up water repeatedly.



► 1. HEPA filter 2. Wet filter

1. Install the hose and nozzle onto the suction inlet and turn on the tool.
2. After vacuum cleaning, empty the tank before it becomes full.



Using as a blower

CAUTION: Do not blow out muddy water such as pool and sand area. If foreign objects are blown into eyes, it may result in personal injury.

CAUTION: Do not operate as a blower against the wind. If foreign objects are blown into eyes, it may result in personal injury.

CAUTION: Always use protective goggles, a cap and mask while operating.

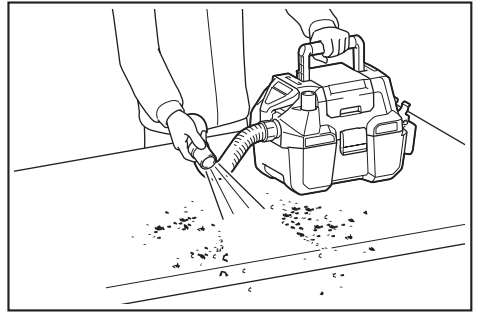
CAUTION: Never point the nozzle at anyone in the vicinity.

CAUTION: The operator or user is responsible for accidents or hazards occurring to other people or their property.

CAUTION: Do not use the tool for blowing air into objects, like rubber rafting, balls or other inflatable products. Increased motor revolution may cause dangerous fan breakage.

1. Install the hose into the blower outlet.

2. Point the hose tip to the object to be blown off and turn on the tool.



NOTE: To clean narrow space, connecting the sash nozzle to the hose makes it easy.

MAINTENANCE

CAUTION: Always be sure that the tool is switched off and the battery cartridge is removed before attempting to perform inspection or maintenance.

CAUTION: To reduce the contact to the dust, use goggles and dust mask when emptying the tank or cleaning the filter.

NOTICE: Never use gasoline, benzine, thinner, alcohol or the like. Discoloration, deformation or cracks may result.

To maintain product SAFETY and RELIABILITY, repairs, any other maintenance or adjustment should be performed by Makita Authorized or Factory Service Centers, always using Makita replacement parts.

Emptying the tank

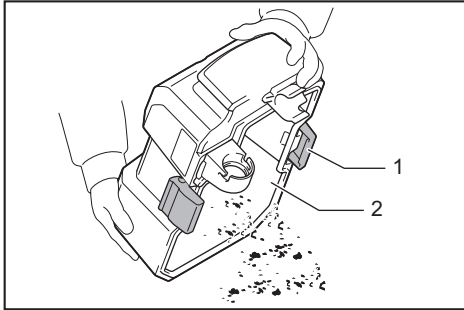
WARNING: Always make sure that the cleaner is switched off and the battery cartridge is removed before emptying the tank. Failure to do so may cause an electric shock and serious personal injury.

CAUTION: Do not apply a great impact on the tank. A great impact may cause deformation and damage to the parts.

CAUTION: Empty the tank at least once a day although this depends on picked-up dust volume in the tank. Or, the suction force will weaken and the motor may be broken.

CAUTION: Do not grab the hook when emptying the tank. Grabbing the hook may cause the hook to break.

Unhook and lift up the tank cover.
Shake off the dust from the filter and then dispose of the dust from the tank.



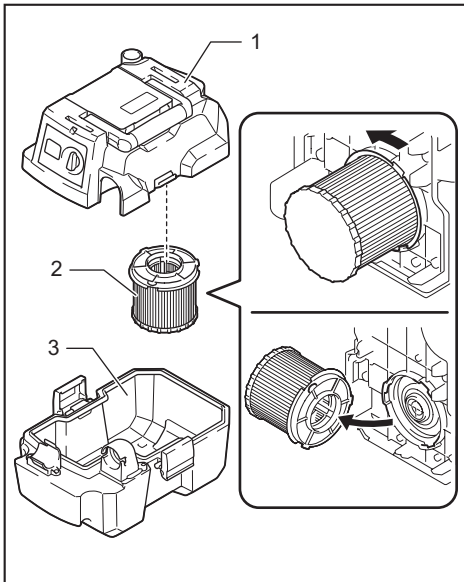
► 1. Hook 2. Tank

Cleaning of HEPA filter/wet filter

NOTICE: Do not rub or scratch the HEPA filter/wet filter with hard objects such as a brush and a paddle.

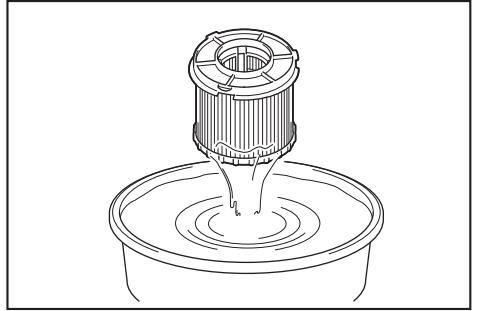
Clogged HEPA filter/wet filter cause poor suction performance. Clean out the filter from time to time.

1. To remove the HEPA filter/wet filter, unlock and remove the tank cover.
2. Turn the HEPA filter/wet filter counterclockwise and pull out of the tank cover.

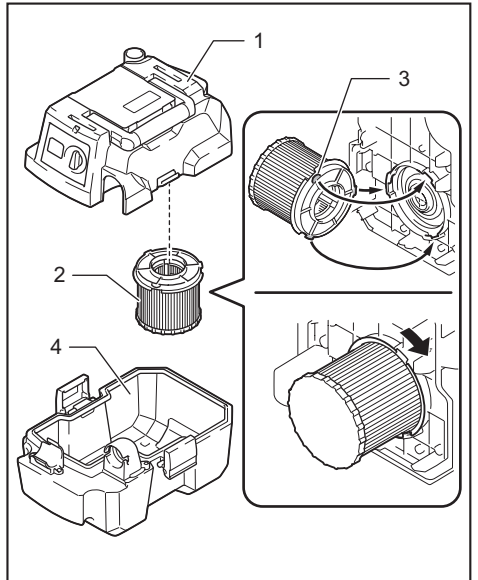


► 1. Tank cover 2. HEPA filter 3. Tank

3. To remove dust adhering to the HEPA filter/wet filter, shake the frame bottom quickly several times. Occasionally wash the HEPA filter/wet filter in water and rinse, and if HEPA filter, dry thoroughly in the shade before use. Never wash the filter in a washing machine.



4. To install the HEPA filter/wet filter, place and twist it clockwise so that the securing lips are firmly locked in the tank cover.



► 1. Tank cover 2. HEPA filter 3. Securing lip 4. Tank

5. Mount the tank cover and lock it.

NOTE: The filter wear out in course of time. It is recommended to have some spares for them.

Installing prefilter set

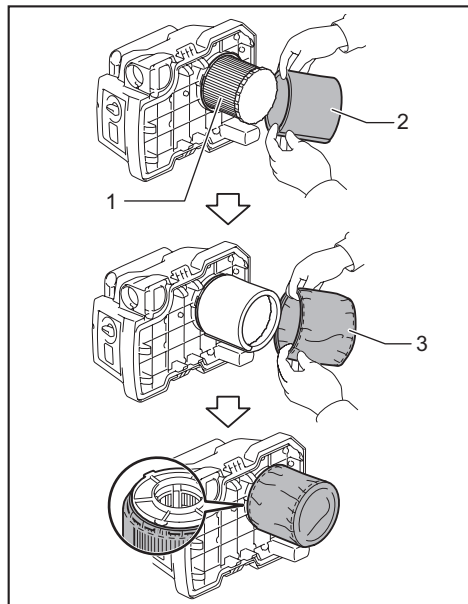
Optional accessory

NOTE: Use the prefilter set only when picking up dry dust with HEPA filter. If you use the prefilter set for picking up water, the water suction capacity may be reduced.

The prefilter set, consisting of the prefilter and dumper, reduces dust clogging in the HEPA filter to keep the suction power.

1. Unlock and remove the tank cover.

2. Set the damper on the HEPA filter and cover it with the prefilter. Be sure to hook the rubber band of the prefilter onto the lip of the HEPA filter.



► 1. HEPA filter 2. Damper 3. Prefilter

3. Mount the tank cover and lock it.

OPTIONAL ACCESSORIES

CAUTION: These accessories or attachments are recommended for use with your Makita tool specified in this manual. The use of any other accessories or attachments might present a risk of injury to persons. Only use accessory or attachment for its stated purpose.

If you need any assistance for more details regarding these accessories, ask your local Makita Service Center.

- Hose
- Front cuff 24
- Joint 22-38
- Corner nozzle
- Round brush
- Shoulder strap
- Wet filter
- Prefilter set
- Makita genuine battery and charger

NOTE: Some items in the list may be included in the tool package as standard accessories. They may differ from country to country.

Makita Europe N.V. Jan-Baptist Vinkstraat 2,
3070 Kortenberg, Belgium

Makita Corporation 3-11-8, Sumiyoshi-cho,
Anjo, Aichi 446-8502 Japan

www.makita.com

885666C221
EN
20200717